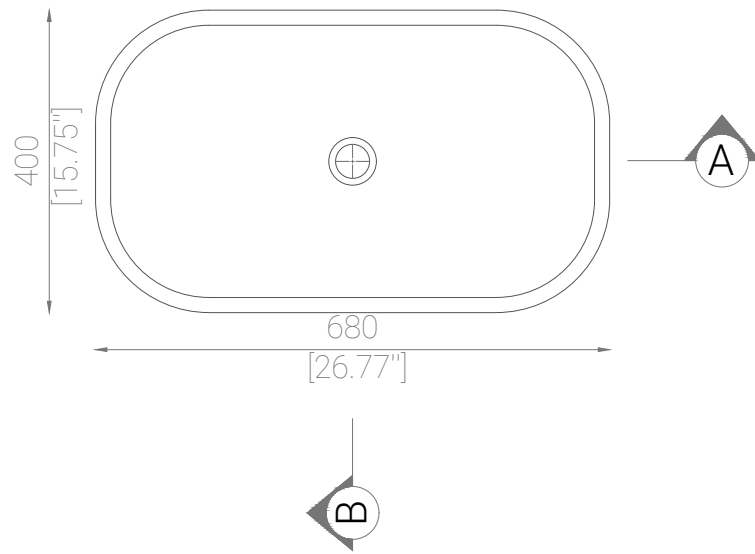
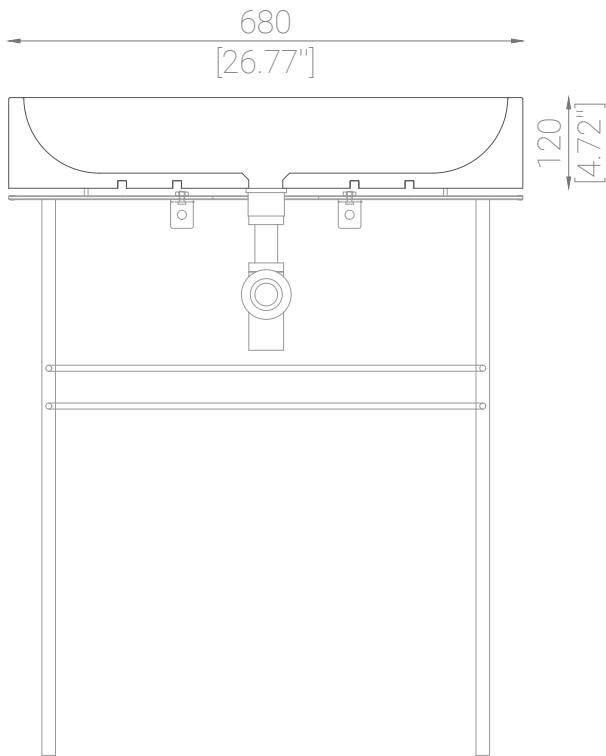


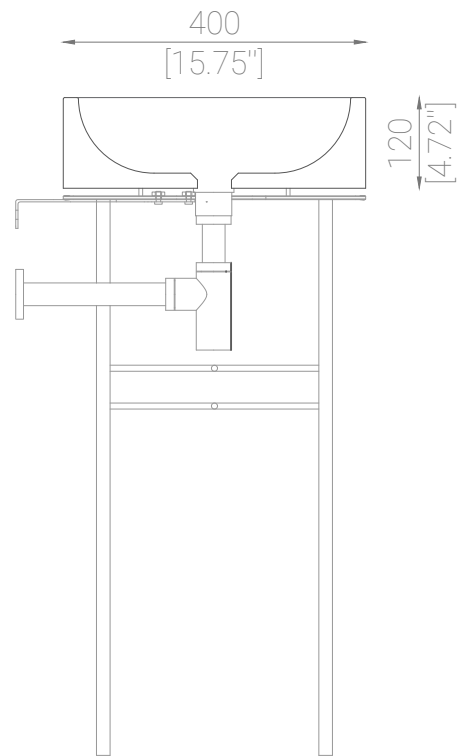
# BASIN #01



Plan



Section A



Section B