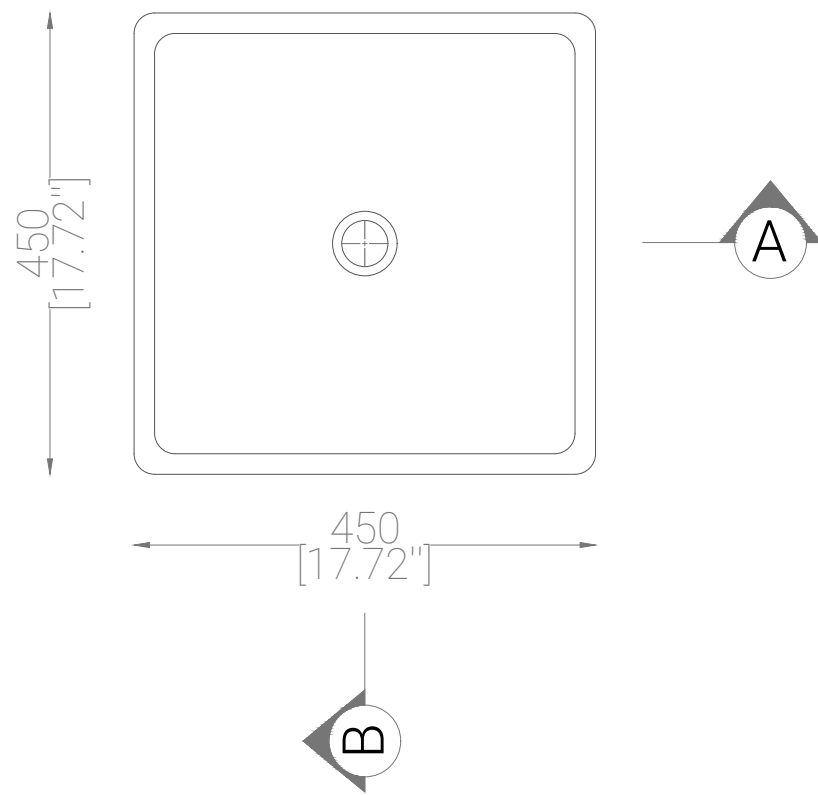
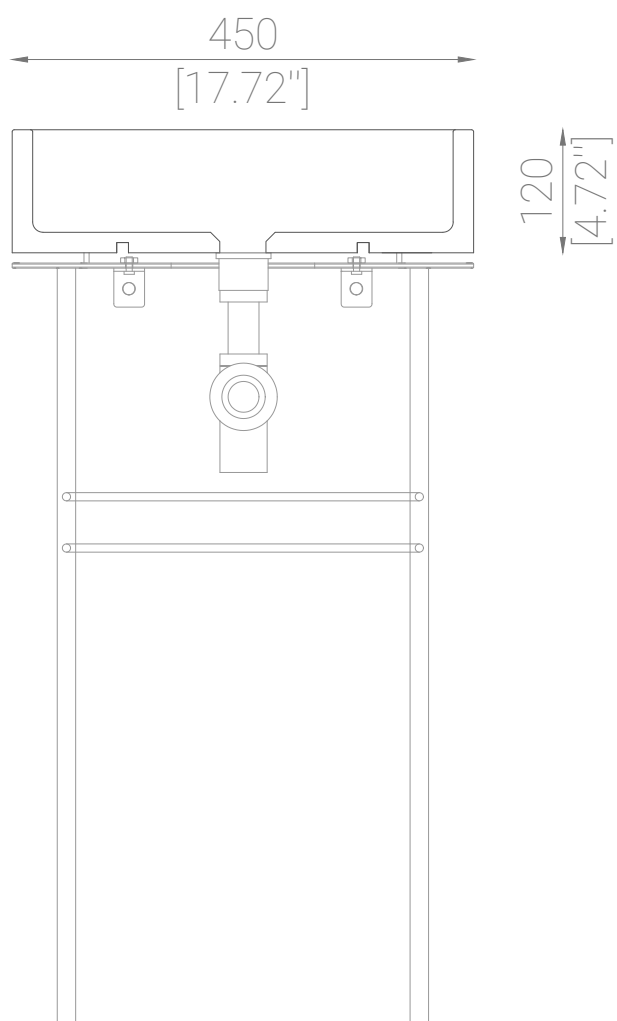


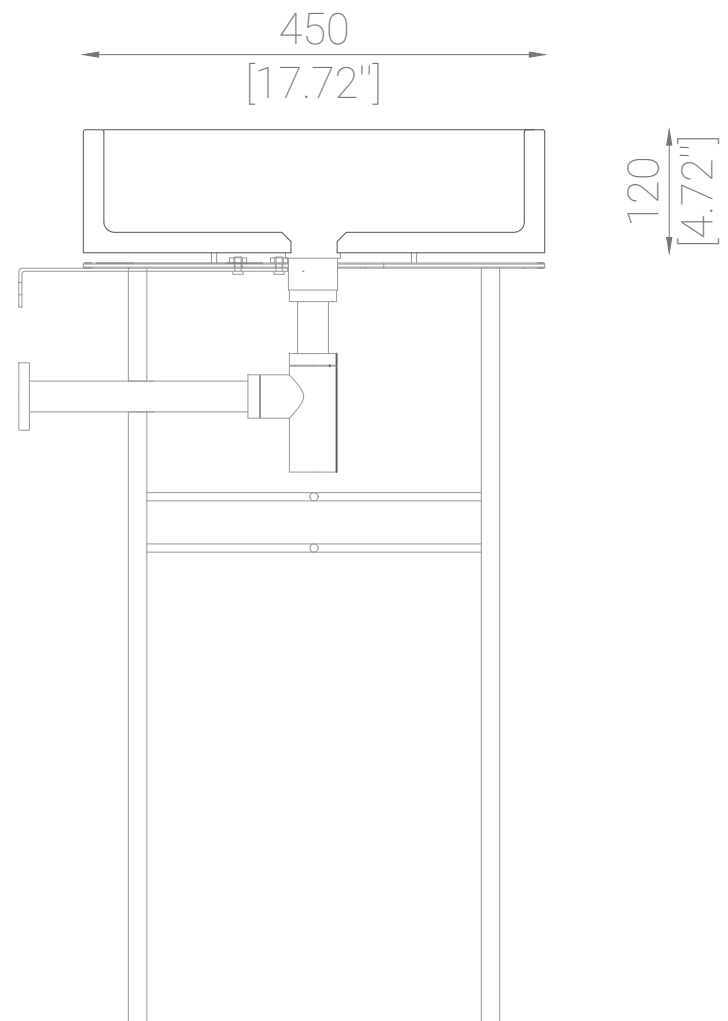
BASIN -04



Plan



Section A



Section B