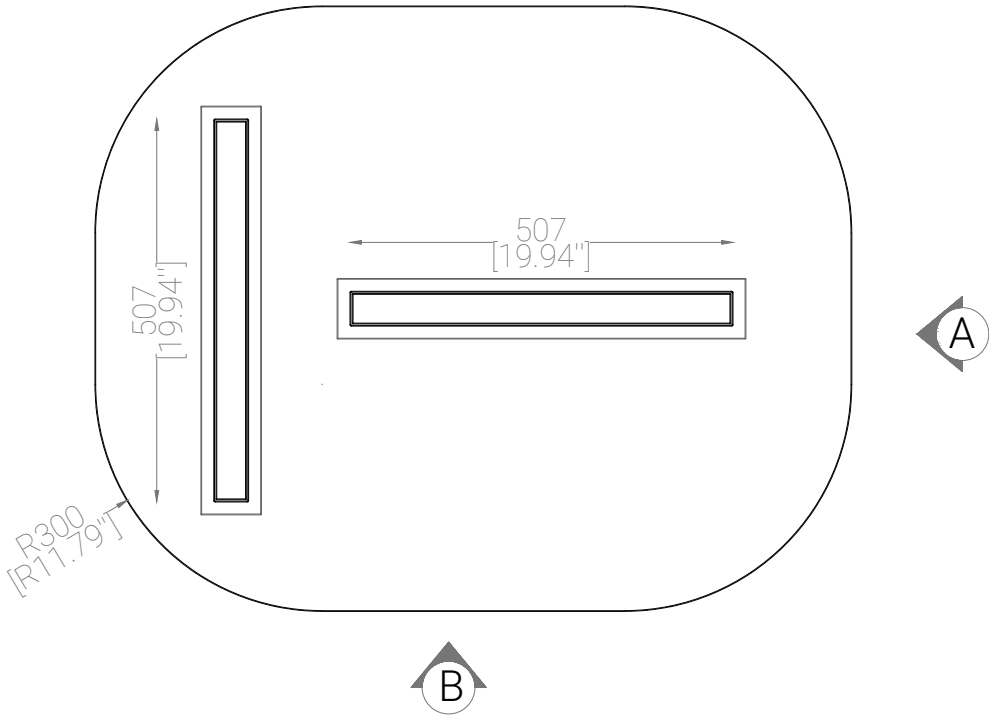


# COFFEE TABLE #01

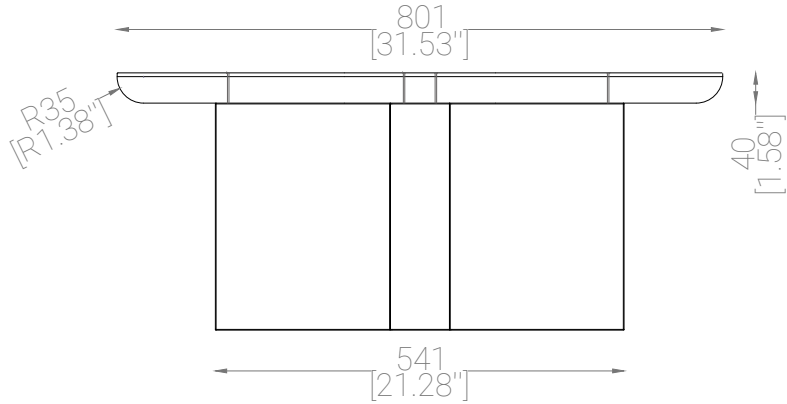


Plan

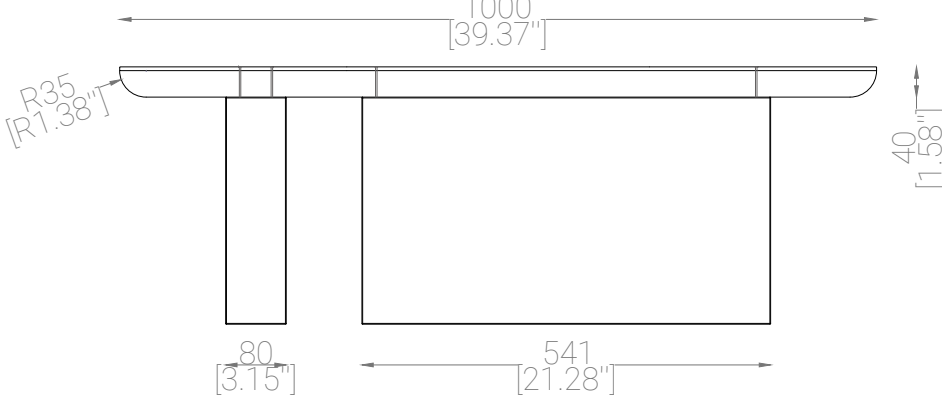


All dimensions are in millimeters (mm) unless otherwise noted  
This drawing to be read in conjunction with the written specifications

# COFFEE TABLE #01



Elevation A



Elevation B



All dimensions are in millimeters (mm) unless otherwise noted  
This drawing to be read in conjunction with the written specifications